



INSTRUCTIONS

-J02513

REV. 2007-02-06

RIGID MOUNT SIDEPLATE KIT

GENERAL

Kit Number

53374-03

Models

For model fitment information, please see the P&A Retail Catalog or the Parts and Accessories section of www.harley-davidson.com (English only).

Additional Parts Required

2000 through 2002 models without a Softail Wide Tire Kit installed will also need Rigid Sideplate Hardware Kit (Part Number 53388-03), available separately. Refer to the instructions included with kit 53388-03 for installation on those models.

LOCTITE®243 (blue) (Harley-Davidson Part Number 99642-97) and LOCTITE®262 (red) (Harley-Davidson Part Number 94759-99) are required for installation of this kit. LOCTITE 243 (blue) and 262 (red) can be purchased from any Harley-Davidson Dealer.

NOTE

A Service Manual for your model motorcycle is available from a Harley-Davidson Dealer.

Kit Contents

See Figure 1 and Table 1.

NOTE

This kit is designed to be used **ONLY** with Genuine Harley-Davidson Sissy Bar Uprights.

NOTE

2000 through 2002 models equipped with a Softail Wide Tire Kit will utilize the appropriate hardware supplied in that kit.

WARNING

Button head screws from wide tire kit must be installed with button heads on inside of fender. Fastener contact with tire can lead to premature tire failure, which could result in death or serious injury. (00417b)

NOTE

When performing this installation, be careful not to scratch nearby painted or chrome surfaces.

INSTALLATION (2000 THROUGH 2002)

Refer to the instructions included with kit 53388-03 for installation on 2000 through 2002 models.

INSTALLATION (2003 AND LATER)

NOTE

To keep the fender aligned, completely install the sideplate on one side of the motorcycle before proceeding to the second side. The sissy bar should be installed last.

1. For models equipped with saddlebags:
 - a. Remove the saddlebag, and retain the mounting hardware for later reinstallation.
 - b. See Figure 1. Remove the bolt (A) and washer (4) that secures the rear fender to the fender brace. Discard the bolt and washer. Remove and retain the two saddlebag mounting studs (C) and nut plate (D) for later use.

For models NOT equipped with saddlebags:

- a. See Figure 1. Remove the two rearmost bolts (A), washers (4) and nut plate that secure the rear fender to the fender brace. Discard the bolts and washers.
 - b. Remove the bolt (B) and washer (4) that secure the fender and brace to the frame. Discard the bolt and washer.
2. See Figure 1. Position the correct sideplate to the outside of the fender brace.
 3. With saddlebags: Apply LOCTITE 243 (blue) to the 3/8-16 threads of the saddlebag mounting studs (C) and reinstall the studs through the sideplate, fender brace, frame and fender, and thread into the stock nut plates (D). Install one chrome 3/8-16 screw (3) and chrome washer (4) from the kit through the rear hole in the sideplate, fender brace and fender, and thread into the stock nut plate (D). Without saddlebags: Install three chrome 3/8-16 screws (3) and chrome washers (4) from the kit through the holes in the side plate, fender brace and fender, and thread into the stock nut plates (D).
 4. Repeat steps 1-3 for the opposite side.
 5. Install a sissy bar (not included in the kit) into the sideplates. Apply LOCTITE 262 (red) to the threads of the chrome 1/4-20 capscrews (5) and insert them into the sideplate holes. Tighten to 8-10 ft-lbs (11-14 Nm).
 6. Tighten the bolts (3) and/or saddlebag mounting studs to 21-27 ft-lbs (28.5-36.6 Nm).
 7. Reinstall the saddlebags.

NOTE

Figure 1. For 2000-2002 models equipped with wide tire kit (I), use hardware found in that kit to re-orient the fasteners (F), washers (G), and Nuts (H). Fasteners (F) should be installed from the inside of the fender facing towards the outside.

SERVICE PARTS

is04414

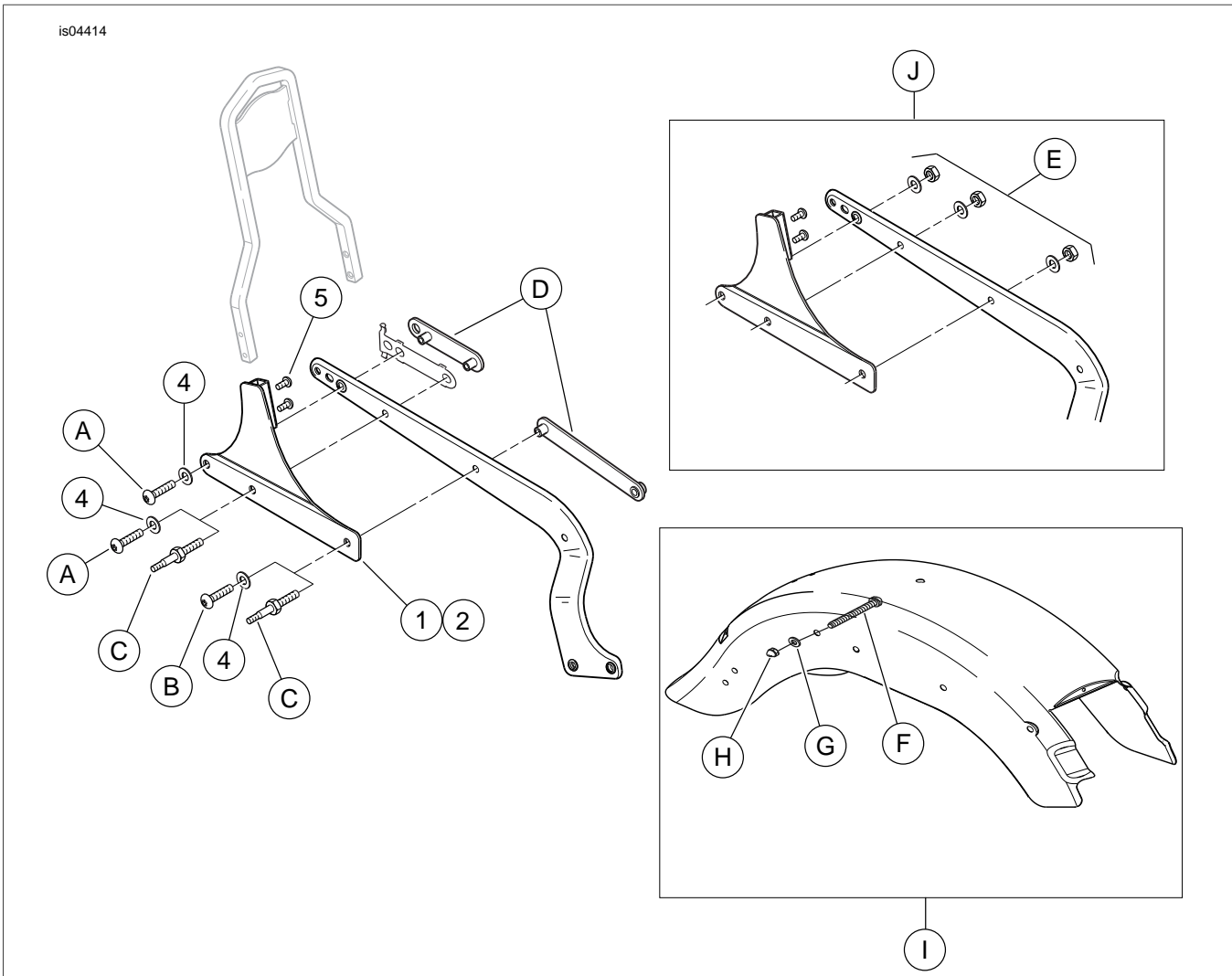


Figure 1. Service Parts: Rigid Mount Sideplate Kit

Table 1. Service Parts Table

Item	Description	Part Number
1	Sideplate, right	52787-00
2	Sideplate, left	52788-00
3	Cap screw, 3/8-16 x 1.0 inch, button head, Torx® (chrome)	4273
4	Washer, flat	94067-90T
5	Cap screw, 1/4-20 x 5/8 inch, button head, Torx®	94592-98

Table 1. Service Parts Table

Item	Description	Part Number
Items mentioned in text, but not included in kit:		
A	Bolt, rear fender to fender brace	
B	Bolt, fender and brace to frame	
C	Mounting studs, saddlebag	
D	Nut plates, stock	
E	Hardware, stock (2000-2002 models)	
F	Bolt, wide tire models	
G	Washer, wide tire models	
H	Nut, wide tire models	
I	2000-2002 wide tire kit illustration	
J	2000-2002 installation illustration	